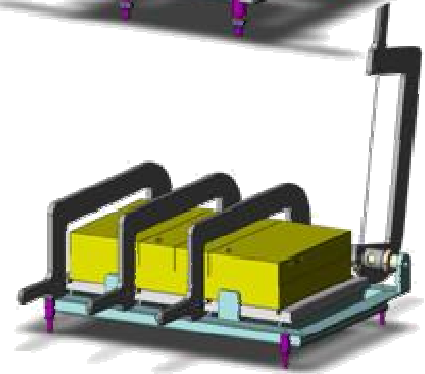
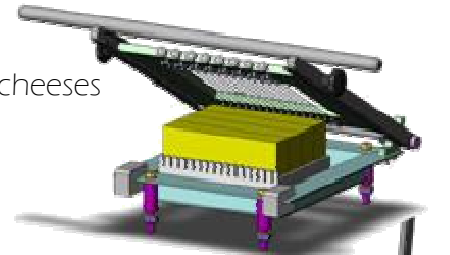


CSL 500 MANUAL CUTTERS

LTD

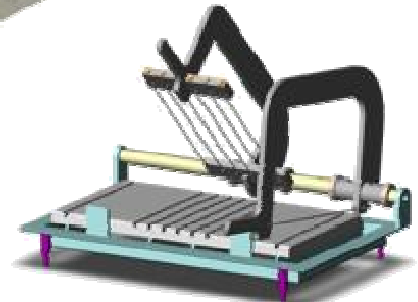
Manual Hand Operated Cutters for Specialty Products

- Cutters for, Airline Portions, Rounds, Triangles, White cheeses, Hard cheeses
- Custom cutting solutions for specialty and small volume products
- Available with interchangeable or fixed cutting frames
- Food service cutters for 5kg and 2kg logs
- Bench top mounting or free standing
- 20 and 15kg block resizing



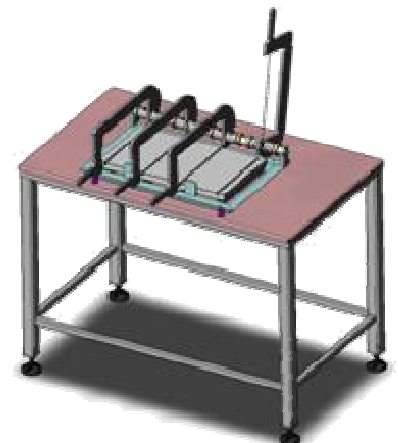
Machine Features

- **Manual Operation**
- **Cleaning**
Quick release components
Easy cleaning access
Wash down



Machine Dimensions

- To suite customers requirements
- Portion dimensions to customers requirements



CSL 500 MANUAL CUTTERS