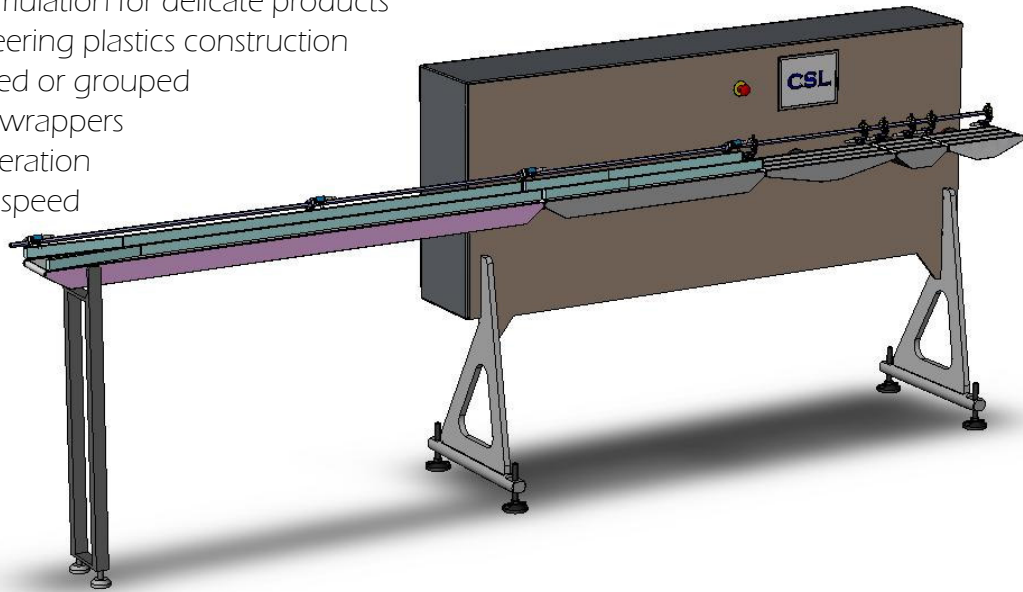


# CSL 14000 FLOW WRAP INFEED ACCUMULATION

LTD

## Intelligent Accumulation and Product Placement System

- System for accumulating and placing cheese slices or portions directly onto film wrap
- Double film registration sensors for accurate placement
- Zero back pressure accumulation for delicate products
- Stainless steel and engineering plastics construction
- Products can be singulated or grouped
- Compatible with all flow wrappers
- Intuitive touch screen operation
- 120 ppm max operating speed

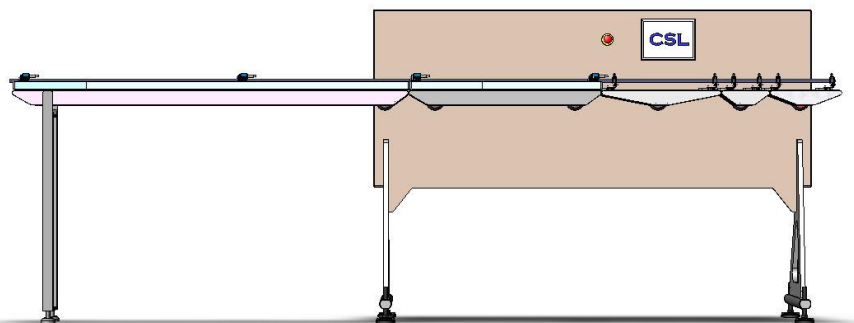
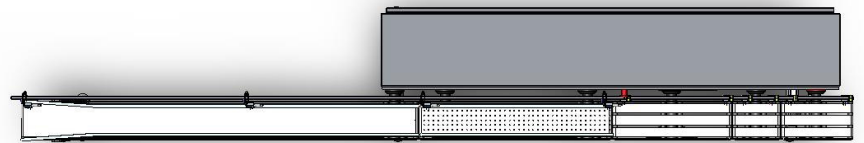


## Machine Features

- **Safety**  
Guarding to AS4024-1
- **Cleaning**  
Quick release components  
Easy cleaning access  
Wash Down

## Machine Dimensions

- **Length**  
To Suite Application
- **Width**  
560mm
- **Height**  
1250mm



## CSL 14000 FLOW WRAP INFEED ACCUMULATION

Cheese Solutions NZ Limited, 61 Wallace Road, PO Box 15473, Hamilton, New Zealand

TEL +64 7 847 6946 FAX +64 7 847 6945 Email [ryan@cheesesolutions.com](mailto:ryan@cheesesolutions.com) [www.cheesesolutions.com](http://www.cheesesolutions.com)