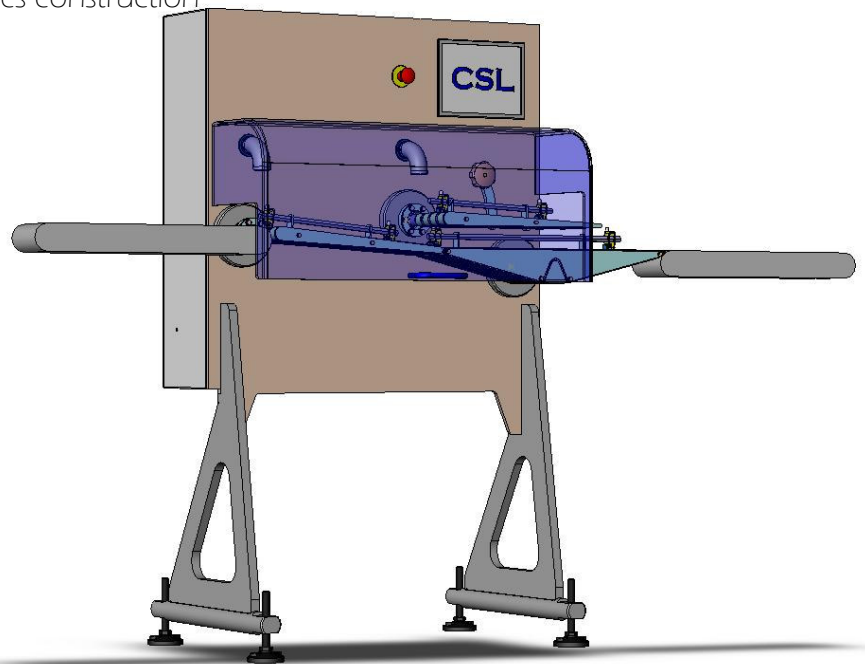


CSL 13000 CHEESE PRODUCT STACKER

LTD

Stacking System For Cheese Portions and Sliced Cheese Stacks

- System for stacking cheese portions and stacks of cheese slices to produce double stacks
- Integrated with the line speed for perfect product matching
- Stainless steel and engineering plastics construction
- Intuitive touch screen operation
- Adjustable merging speeds
- Adjustable stack heights

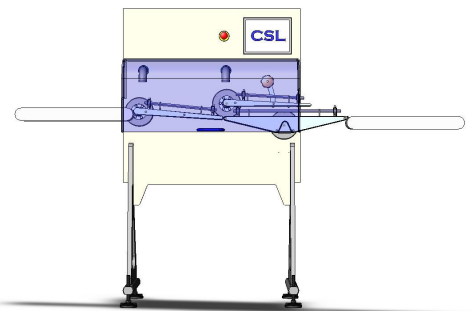
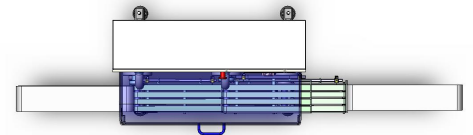


Machine Features

- **Safety**
Guarding to AS4024-1
- **Cleaning**
Quick release components
Easy cleaning access
Wash Down

Machine Dimensions

- **Length**
1000mm
- **Width**
550mm
- **Height**
1425mm



CSL 13000 CHEESE PRODUCT STACKER STACKER